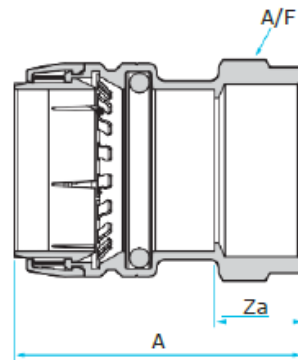


Material (15 mm - 28 mm)  
Material (35 mm - 54 mm)  
O-ring  
Cartridge ring (15 mm - 28 mm)  
Cartridge ring (35 mm - 54 mm)  
Grab ring  
Alignment ring (15 mm - 28 mm)  
Disconnecting ring (15 mm - 28 mm)  
Disconnecting ring (35 mm - 54 mm)  
Working pressure  
Operating temperature

Brass CW602N  
Brass CW617N  
Nitril  
304 Stainless steel  
Polyphenylsulfones (PPSU)  
316 Stainless steel  
Acetal  
Acetal  
PPSU  
-0.95 to 20 bar  
-20 to 65 °C



AVMNG34

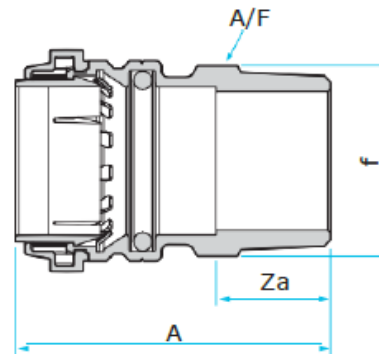


### Screw-on connection brass

Art. No.	Type No.	Thread	For tube O.D.	A	Za	A/F
			mm	mm	mm	mm
117015	AVMNG12	G 1/2	15	40.0	17.0	25
117017	AVMNG34	G 3/4	22	47.0	18.0	30
117014	AVMNG114	G 1 1/4	35	70.0	23.0	48
117013	AVMNG112	G 1 1/2	42	77.0	24.0	54
117016	AVMNG2	G 2	54	83.0	27.0	66



ESVMNG12



**Screw-in connector brass**

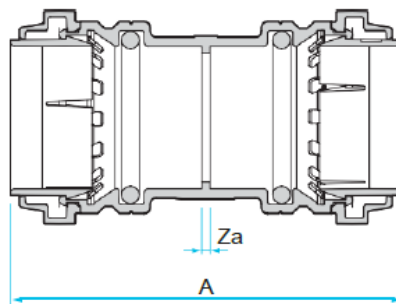
Art. No.	Type No.	Thread	For tube O.D. mm	A mm	Za mm	A/F
117029	ESVMNG12	G 1/2	15	43.0	21.0	22
117031	ESVMNG34	G 3/4	22	47.0	19.0	27
117028	ESVMNG1	G 1	28	55.0	22.0	34
117027	ESVMNG114	G 1 1/4	35	76.0	27.0	45.5
117026	ESVMNG112	G 1 1/2	42	77.0	25.0	49
117030	ESVMNG2	G 2	54	82.0	27.0	61.5



GVMN15



GVMN42



### Straight connector brass

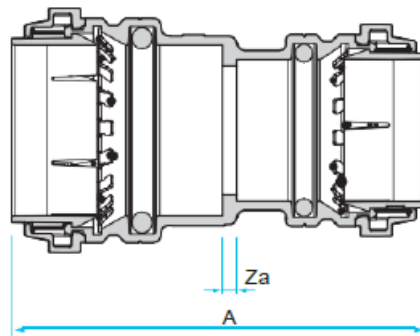
Art. No.	Type No.	For tube O.D. mm	A mm	Za mm
117039	GVMN15	15	51.0	1.0
117040	GVMN22	22	61.0	1.0
117041	GVMN28	28	65.0	1.0
117042	GVMN35	35	99.0	2.0
117043	GVMN42	42	109.0	2.0
117044	GVMN54	54	114.0	2.0



RDVMN3528



RDVMN4235

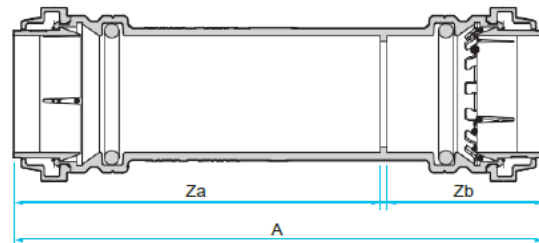


**Reducer connector brass**

Art. No.	Type No.	For tube O.D. mm	For tube O.D. 1 mm	A mm	Za mm
117051	RDVMN2215	15	22	57.0	5.0
117052	RDVMN2822	22	28	66.0	5.0
117053	RDVMN3528	28	35	94.0	14.0
117055	RDVMN4235	35	42	105.0	4.0
117056	RDVMN5442	42	54	112.0	3.0



RPSVMN22



### Repair/slide in connector brass

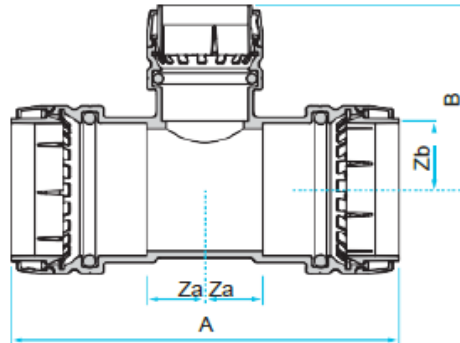
Art. No.	Type No.	For tube O.D. mm	A mm	Za mm	Zb mm
117057	RPSVMN15	15	85.0	60.0	25.0
117058	RPSVMN22	22	102.0	70.0	30.0
117059	RPSVMN28	28	115.0	81.0	32.0
117060	RPSVMN35	35	163.0	112.0	48.0
117061	RPSVMN42	42	181.0	125.0	49.0
117062	RPSVMN54	54	191.0	133.0	56.0

P 7-287 e

Brass unions  
»sharkbite« series  
Art. No. 117013 to 117113



TRVMN2815

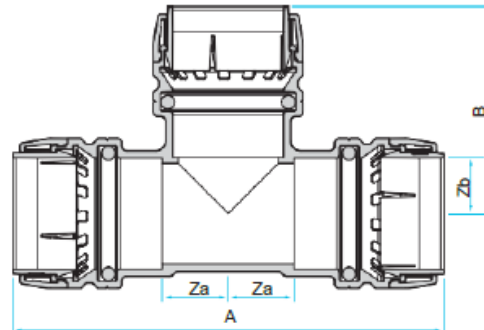


**T-reducer connector brass**

Art. No.	Type No.	For tube O.D. mm	For tube O.D. 1 mm	A mm	B mm	Za mm	Zb mm
117070	TRVMN2215	22	15	76.0	35.0	9.0	13.0
117071	TRVMN2815	28	15	80.0	39.0	8.0	17.0
117072	TRVMN2822	28	22	86.0	46.0	11.0	17.0
117073	TRVMN3522	35	22	130.0	56.0	17.0	27.0
117074	TRVMN3528	35	28	135.0	62.0	20.0	30.0
117075	TRVMN4222	42	22	141.0	59.0	18.0	31.0
117076	TRVMN4228	42	28	145.0	67.0	20.0	35.0
117077	TRVMN4235	42	35	153.0	70.0	24.0	22.0
117078	TRVMN5428	54	28	151.0	72.0	20.0	40.0
117079	TRVMN5435	54	35	159.0	76.0	24.0	28.0
117080	TRVMN5442	54	42	161.0	80.0	25.0	28.0

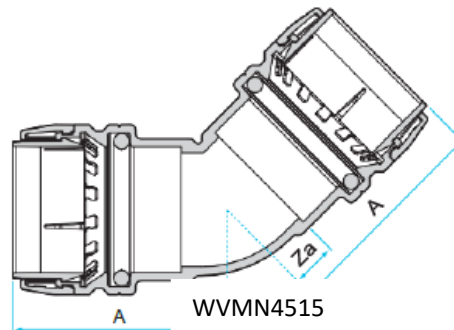


TVMN22



### T-connection brass

Art. No.	Type No.	For tube O.D. mm	A mm	B mm	Za mm	Zb mm
117081	TVMN15	15	68.0	34.0	9.0	9.0
117082	TVMN22	22	86.0	43.0	13.0	13.0
117083	TVMN28	28	94.0	47.0	15.0	15.0
117084	TVMN35	35	139.0	66.0	21.0	18.0
117085	TVMN42	42	153.0	77.0	23.0	24.0
117087	TVMN54	54	174.0	85.0	31.0	29.0



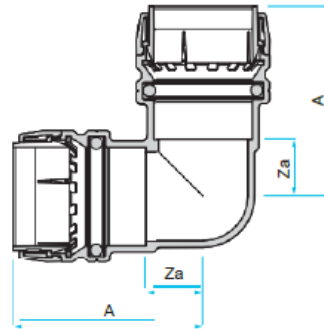
**Angle connector 45° brass**

Art. No.	Type No.	For tube O.D. mm	A mm	Za mm
117090	WVMN4515	15	28.0	5.0
117091	WVMN4522	22	43.0	10.0
117092	WVMN4528	28	40.0	8.0
117093	WVMN4535	35	61.0	13.0
117094	WVMN4542	42	67.0	13.0
117096	WVMN4554	54	72.0	17.0





WVMN9015



### Angle connector 90° brass

Art. No.	Type No.	For tube O.D. mm	A mm	Za mm
117097	WVMN9015	15	34.0	9.0
117098	WVMN9022	22	43.0	13.0
117099	WVMN9028	28	46.0	14.0
117100	WVMN9035	35	69.0	21.0
117108	WVMN9042	42	77.0	24.0
117113	WVMN9054	54	85.0	30.0